



GENERAL FEATURES

- For potentiometric output: 45°, 150°, 354°
For analog output: 30°, 45°, 90°, 120°, 150°, 180°, 270°, 345°, 350° electrical angle
- 6 mm hollow shaft
- 31 mm body diameter
- Potentiometric, 0-10V, 4-20 mA or 0-20mA output
- High linearity up to $\pm 0.5\%$
- Long life up to 5 million movements
- Resolution better than $0,1^\circ$
- Dust and moisture resistant, IP63 protection class
- No mechanical rotation limitation

APPLICATION FIELDS

- Textile machinery
- Automatic door control systems
- Automotive
- All kinds of control and measurement applications

TECHNICAL FEATURES

Electrical Data

Independent Linearity	$\pm 0.5\%$	
Repeatability	0.1° max.	
Output Type	Potentiometric	0-10V, 4-20 mA, 0-20 mA
Electrical Angle	45°, 150°, 354°	30°, 45°, 90°, 120°, 150°, 180°, 270°, 345°, 350°
Supply Voltage	42V max.	12...30 VDC
Resistance Values	1K, 2K, 5K, 10K	-
Resistance Tolerance	$\pm 20\%$	-
Resistance Element	Resistive carbon	-
Resolution	Infinite	12 bit
Recommended Wiper Current	100 μ A max.	-
Power Rating	0.5W / 40°C max.	-
Minimum Life (electrical)	10 million movements	
Electrical Connection	3x0,102 mm ² soft PVC cable (standard 1m, optional others)	

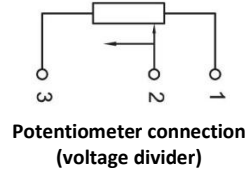
Mechanical Data

Dimensions	See mechanical dimensions table
Mechanical Angle	360°, continuous
Torque	0.5 Ncm max.
Minimum Life (mechanical)	5 million movements
Operating Temperature	-25°C ... +75°C
Storage Temperature	-25°C ... +105°C
Housing Material	Aluminum
Protection Class	IP63

ELECTRICAL CONNECTIONS

Potentiometer Connection

SIGNAL	CABLE COLOR
+V	Green (1)
Potentiometric output	Red (2)
-V	Yellow (3)



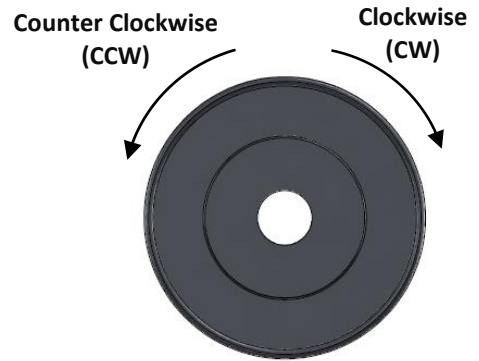
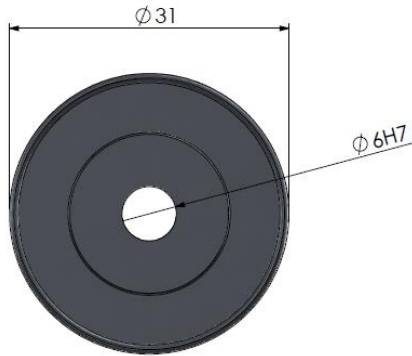
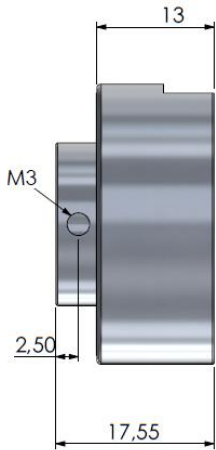
0-10V Connection

SIGNAL	CABLE COLOR
+VDC	Green
Analog Output	Red
-VDC	Yellow

4-20mA or 0-20 mA Connection (2-wire)

SIGNAL	CABLE COLOR
+VDC	Red
Analog Output	Green Yellow

MECHANICAL DIMENSIONS (mm)



ORDER CODE

Angle

For Analog: For Potentiometric:

30	: 30°	45	: 45°
45	: 45°	150	: 150°
90	: 90°	354	: 354°
120	: 120°		
150	: 150°		
180	: 180°		
270	: 270°		
345	: 345°		
350	: 350°		

Cable Length

1M: 1 meter (standard)
*Optional others

Model

RHP	-	XXX	-	XXX	-	XX	-	XXX	-	XXX
		Body Diameter			Resistance Value			Output Type		
		030: 31 mm			1K: 1K 2K: 2K 5K: 5K 10K: 10K			No Code: Potentiometric AO: 0-20 mA (CW) NAO: 0-20 mA (CCW) A: 4-20 mA (CW) NA: 4-20 mA (CCW) V: 0-10 V (CW) NV: 0-10 V (CCW) *CW: Clockwise CCW: Counter Clockwise		