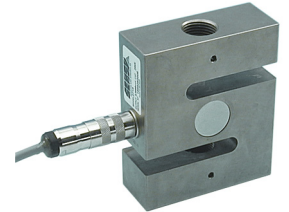


2715

## TENSION AND COMPRESSION LOAD CELL

Universal tension and compression load cell with high accuracy.

- Wide range capacity : 20 kN (2000 kg) to 200 kN (20 tons)
- Tension and compression
- Easy to install
- "S" Compact design
- Protection IP 67
- Material : Nickel plated steel
- Available options (non exhaustive list):
  - o High service temperature (180 °C)
  - o ATEX Ex ia IIC T6 to T4 certified (hazardous area)
  - o Cable output by cable gland
- Also available as standard reference load cells following ISO 376 (see specific data sheet)



Model 2715

The SENSY's load cell 2715 is perfectly designed to the following applications :

- Industrial force measurement
- Weighing of suspended reactors or hoppers
- Weighing of conveyor belts
- Hybrid weighbridges (mechanical conversion)

### CAPACITIES :

2715 : 20 - 30 - 50 - 75 - 100 - (150) - (200) kN

TECHNICAL DATA					
Accuracy class		0.1 1000 d	0.05 * 2000 d	0.03 * 3000 d	0.02 * 5000 d
Linearity error	% F.S.	< ± 0.1	< ± 0.05	< ± 0.025	< ± 0.015
Hysteresis error	% F.S.	< ± 0.1	< ± 0.05	< ± 0.025	< ± 0.015
Non - repeatability	% F.S.	< ± 0.03	< ± 0.02	< ± 0.015	< ± 0.01
Creep error over 30 min.	% F.S.	< ± 0.06	< ± 0.04	< ± 0.025	< ± 0.015
Zero shift after loading	% F.S.	< ± 0.015	< ± 0.01	< ± 0.0075	< ± 0.005
Reference temperature	°C	23	23	23	23
Nominal temperature range	°C	- 10...+45	- 10...+45	- 10...+45	- 10...+45
Service temperature range	°C	- 30...+70	- 30...+70	- 30...+70	- 30...+70
Storage temperature range	°C	- 50...+85	- 50...+85	- 50...+85	- 50...+85
Temperature coefficient of the sensitivity	%/10°C	< ± 0.05	< ± 0.035	< ± 0.015	< ± 0.008
Temperature coefficient of zero signal	% F.S./10°C	< ± 0.035	< ± 0.03	< ± 0.023	< ± 0.013
Nominal sensitivity	mV/V	2	2	2	2
Zero balance	mV/V	± 0.02	± 0.02	± 0.02	± 0.02
Sensitivity tolerance (g=9,8107 m/s <sup>2</sup> )	%	< ± 0.3	< ± 0.3	< ± 0.1	< ± 0.05
Input / Output resistance	Ohm	351 ± 2	351 ± 2	351 ± 2	351 ± 2
Insulation resistance (50V)	MOhm	> 5000	> 5000	> 5000	> 5000
Nominal excitation voltage	V	5 to 10	5 to 10	5 to 10	10
Nominal range of the excitation voltage	V	2...15	2...15	2...15	2...15
Safe load limit	% F.S.	150	150	150	150
Breaking load	% F.S.	> 300	> 300	> 300	> 300
Static lateral force limit	% F.S.	50	50	50	50
Permissible dynamic loading	% F.S.	50	50	50	50

F.S.: full scale Specifications subject to change without notice

\* : Not for 2715-150 and 200 kN

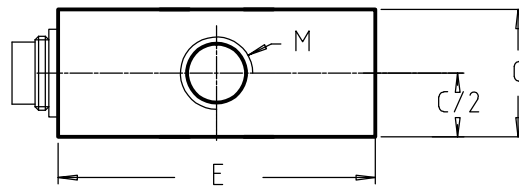
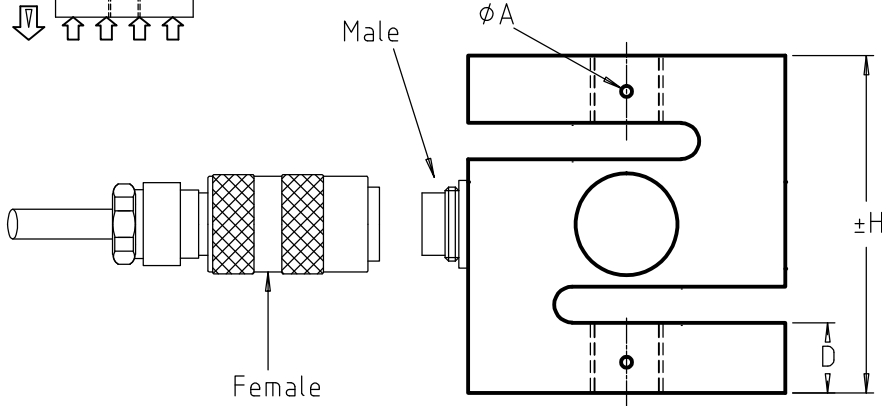
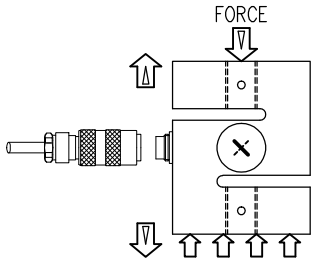
# LOAD CELL

model 2715 alloy steel

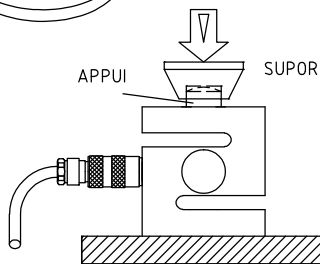
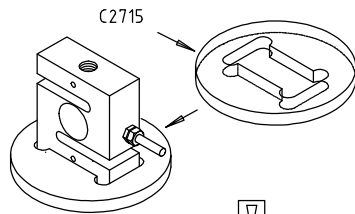
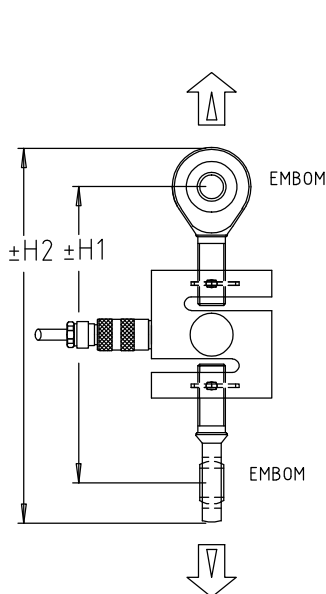
## TENSION-COMPRESSION

Range ( 20 - 200 kN ) IP67  
( 2 - 20 t. )

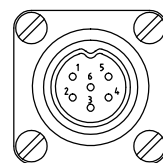
Cable length : See table



CAPACITIES	φA	H	C	D	E	M	H1	H2	Cable	Max.deflexion	Weight
20-50 kN	4	116	38	30	98	M24x2	238	302	3 m	0.35 mm	2.6 kg
75-100 kN	6	130	56	33	118	M36x3	318	402	6 m	0.60 mm	5.2 kg
150-200 kN	8	155	67	45	146	M45x3	360	470	10 m	0.70 mm	9 kg



### FEMALE-MALE CONNECTOR DIN 45322



- CONTACT N°
- 1 Excitation - Yellow
  - 2 Output + Green
  - 3 Output - White
  - 4 Excitation + Brown
  - 5 Sense - Grey
  - 6 Sense + Pink

Shield not connected to transducer

Note: Standard wiring for compression