



- Easy installation with double-sided articulated body structure
- Square body (shaft diameter 6 mm)
- Potentiometric measurement
- Measuring distances from 50 mm to 1000 mm
- 0.01 mm Resolution
- High life with 100 million moves
- High operating speed 5 m / s
- 5K or 10K resistor options (other resistor values optional)
- Maximum Angular Motion $\pm 30^\circ$

The LTC Series operates on the principle of potentiometric (Resistive Resistance). The LTC series is the twin-articulated version of the LTM series. In these models, socket, body 90 degrees. Models that deliver 0-10 VDC (LTC-V) or 4-20mA (LTC-A) can also be produced.

Due to high resolution of 0.01 mm, precise measurements can be made. Since they are analogue outputs, they operate as ABSOLUTE, ie they do not lose their position during power cuts and continue to measure from where they left off.

The linearized conductive plastic (Carbon + Plastic alloy) resistive alloy and special contacts are not affected by abrasion and operate for long periods with motion lives of up to 100 million. Because they are linear, they make stable and even measurements. They have angular motion capability during operation and mounting up to max. 30° due to articulation.

LTC Series Potentiometric Linear Transducers are mainly used in :

- Press Brake Machines
- Marble Machines
- Tension Control
- Horizontal Band Saw Machines
- Transfer Machines
- Hydraulic Machines
- Sheet Metal Working Machines
- Bending Presses
- Textile Machines

Technical Specifications

Defined Electrical Ranges	50 - 75 - 100 - 125 - 150 - 175 - 200 - 225 - 250 - 275 - 300 - 325 - 350 - 360 - 375 - 400 - 450 - 500 - 550 - 600 - 650 - 700 - 750 - 800 - 900 - 1000
Resistance Element	Conductive Plastic
Output Signals	Potentiometric (Voltage Divider)
Independent Linearity	$\pm 0,3$
Electrical Connection	4 pin female socket
Power Supply	Max. 42 VDC
Resistance	5K or 10Kohm and others ($\pm 20\%$ tolerance)
Operating Temperature	-30°C $+100^\circ\text{C}$
Life	100 million movements
Mechanical Fixing	With double sided articulated or handcuffs
Shaft Material	Stainless steel
Body Material	Anodized aluminium
Protection Class	IP62

Order Code

Model No

L T C - 5 0 0

Defined Stroke Range

Several standard lengths from 50 mm to 1000 mm

Output

No code in potentiometric products

Included in Delivery

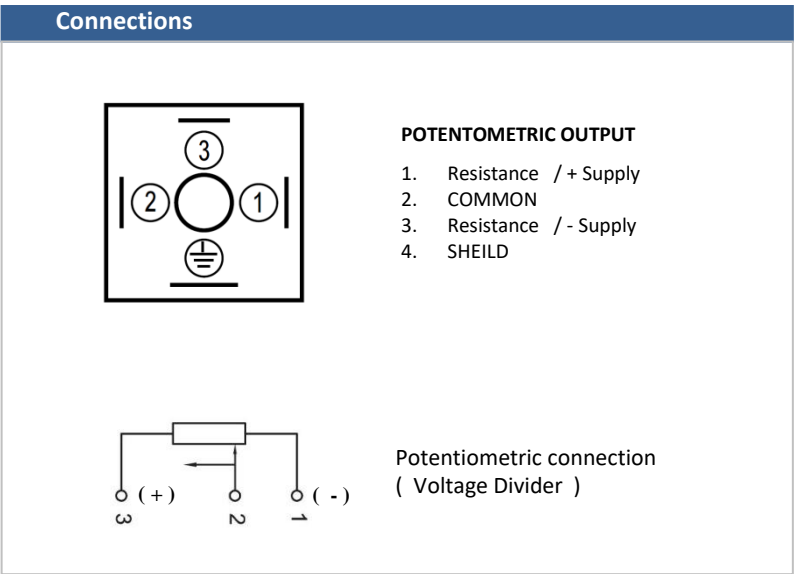
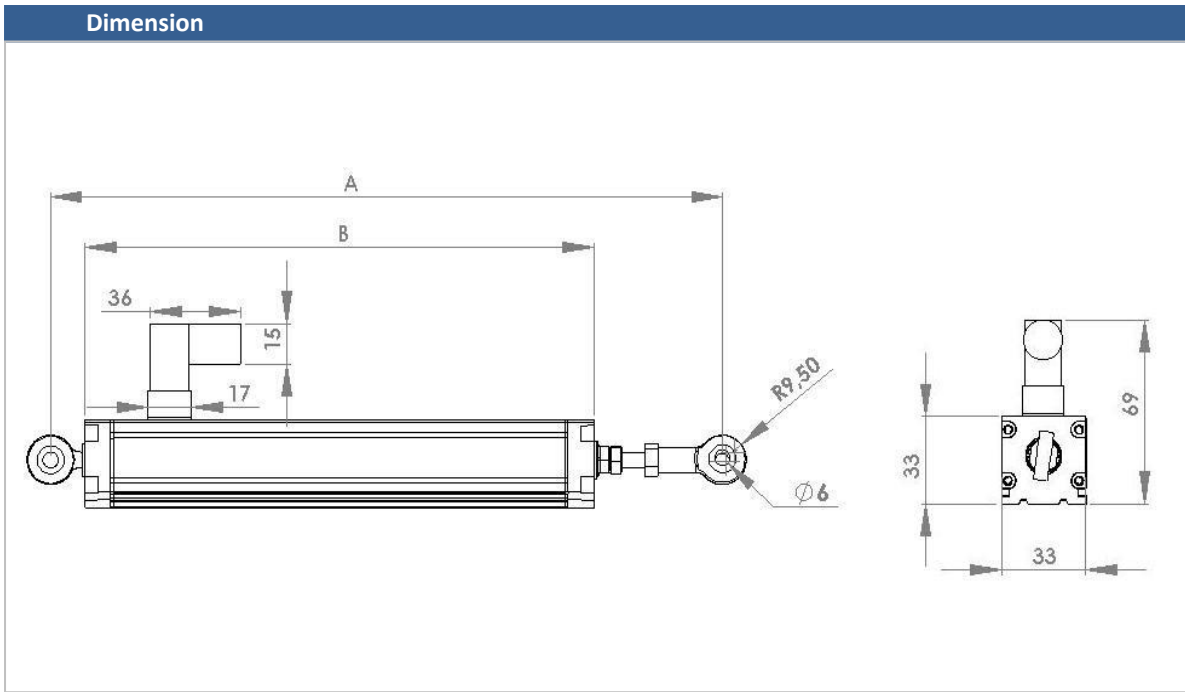
1 Connector / 4 pin female socket

**Optional fixing clamps

Recommended Accessories

Process-controlled indicators "ALP Series"





TYPE	LTC 50	LTC 75	LTC 100	LTC 125	LTC 150	LTC 175	LTC 200	LTC 225	LTC 250	LTC 275	LTC 300	LTC 325	LTC 350	LTC 360	LTC 375	LTC 400	LTC 450	LTC 500	LTC 550	LTC 600	LTC 650	LTC 700	LTC 750	LTC 800	LTC 900	LTC 1000	
STROKE	50	75	100	125	150	175	200	225	250	275	300	325	350	360	375	400	450	500	550	600	650	700	750	800	900	1000	
RESISTANCE (Kohm)	5K	5K	5K	5K	5K	5K	5K	5K	5K	5K	5K	5K	5K	5K	5K	5K	5K	5K	5K	5K	10K	10K	10K	10K	10K	10K	
MECHANICAL STROKE (mm)	54	79	104	129	154	179	204	229	254	279	304	329	354	364	379	404	454	504	554	604	654	704	754	804	904	1004	
ELECTRICAL STROKE (mm)	50	75	100	125	150	175	200	225	250	275	300	325	350	360	375	400	450	500	550	600	650	700	750	800	900	1000	
MECHANICAL DIMENSIONS																											
BETWEEN PIVOT HEADS (A) (mm) ±2 mm	220	245	270	295	320	345	370	395	420	445	470	495	520	530	545	570	620	670	720	770	820	870	920	970	1070	1170	
BODY LENGTH (B) (mm) ±2 mm	150	175	200	225	250	275	300	325	350	375	400	425	450	460	475	500	550	600	650	700	750	800	850	900	1000	1100	



ATEK SENSOR TECHNOLOGY AS

Tuzla KOSB Organize Sanayi Bolgesi, Melek Aras Bulvari No:67 TR-34956 Tuzla - Istanbul - TURKEY
 Tel : +90 216 399 44 04 Fax : +90 216 399 44 02
www.ateksensor.com info@ateksensor.com