



GENERAL FEATURES

- R1: 70° / R2: 70° electrical angle
- 325° mechanical angle
- 6.34 mm shaft diameter
- 50.8 mm body diameter
- Potentiometric output
- $\pm 1\%$ linearity
- Long life up to 5 million movements
- Resolution better than 0,1°
- IP40 protection

APPLICATION FIELDS

- Textile machinery
- Automatic door control systems
- Automotive
- All kinds of control and measurement applications

TECHNICAL FEATURES

Electrical Data

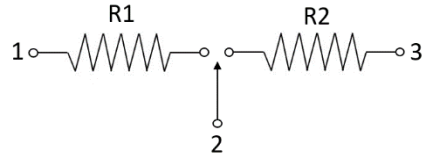
Electrical Angle	R1: 70° / R2: 70°
Independent Linearity	$\pm 1\%$
Repeatability	0.1° max.
Output Type	Resistive
Supply Voltage	42V max.
Resistance Values (R1/R2)	5K (R1=2.5K, R2=2.5K) or 10K (R1=5K, R2=5K)
Resistance Tolerance	$\pm 20\%$
Resistance Element	Resistive carbon
Resolution	Infinite
Recommended Wiper Current	100 μ A max.
Minimum Life (electrical)	10 million movements
Electrical Connection	3x0,102 mm ² soft PVC cable (standard 1m, optional others)

Mechanical Data

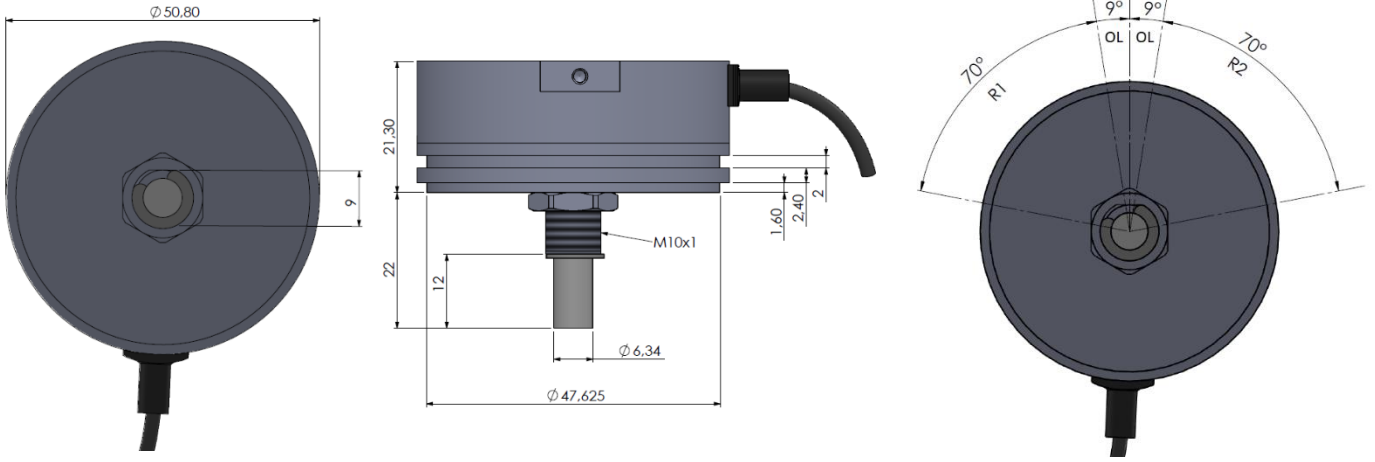
Dimensions	See mechanical dimensions table
Size	Servo size 20
Mechanical Angle	325°, mechanical limited
Torque	0.5 Ncm max.
Max. operating speed	1000 RPM
Minimum Life (mechanical)	5 million movements
Operating Temperature	-25°C ... +75°C
Storage Temperature	-25°C ... +105°C
Body Material	Aluminum
Shaft Material	Stainless steel
Protection	IP40
Weight	~80 gr

ELECTRICAL CONNECTION

POTENTIOMETER CONNECTION	
SIGNAL	CABLE COLOR
R1	Black (1)
Output Signal	Yellow (2)
R2	Red (3)




MECHANICAL DIMENSIONS (mm)





ORDER CODE

Model		Resistance Value			Shaft Diameter			
RDP	-	XXX	-	XXX	-	XX	-	XXX
Body Diameter				Cable Length				
050: 50.8 mm				1M: 1 meter (standard) *Optional others				


Atek Elektronik Sensör Teknolojileri Sanayi ve Ticaret A.Ş.

 Gebze OSB, 800. Sokak, No:814 Gebze/KOCAELİ/TURKEY

 Tel: +90 262 673 76 00

 Fax: +90 262 673 76 08

 www.ateksensor.com

 info@ateksensor.com