

INCREMENTAL ROTARY ENCODER

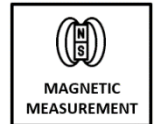
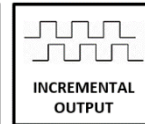
“Magnetic Measurement, 37 mm Body Diameter, Semi Hollow Shaft”

ARS B 37



GENERAL SPECIFICATIONS

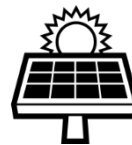
- Incremental measurement with magnetic principle
- Resolution up to 1024 pulses
- 37 mm body diameter
- 4 mm, 5 mm or 6 mm semi hollow shaft
- 3000 RPM operating speed
- 300 KHz response frequency
- High accuracy
- Robust structure, long operating life
- Compact design
- IP54 protection class



ARS B 37 series rotary encoders measure with magnetic principle and operate incrementally. It offers resolution up to 1024 pulses per revolution. In these encoders with 37 mm compact body; 4, 5 or 6 mm semi-hollow shaft option are available.

APPLICATIONS

- Wind Applications / Power Plants
- Marine or Utility Vehicle Applications
- Press or Wood and Stone Processing Machinery
- Construction Machinery
- Cranes
- Offshore Applications
- Commercial Solar Plants
- Filling Plants
- Food & Beverage Applications
- Oil & Gas - Pipe Handling and Cranes



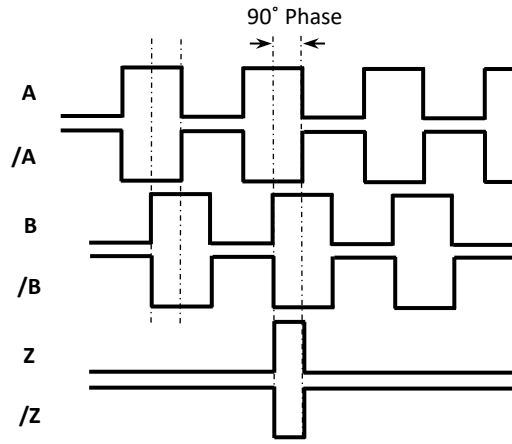
TECHNICAL SPECIFICATIONS

*Resolution	Resolution options between 1 and 1024 pulses						
Operating Speed	3000 RPM max.						
Measuring Type	Magnetic						
Response Frequency	300 KHz						
Current Consumption	50 mA nominal						
*Electrical Interface		PP	TTL	HTL	HPL	OCL	OCP
	Supply	10...30 VDC	5 VDC	10...30 VDC	5...30 VDC	The supply signal should not be lower than the output signal	
	Output	10...30 VDC PP	5 VDC TTL	10...30 VDC PP	5...30 VDC PP	NPN Open Collector	PNP Open Collector
*Output Signals	A, /A, B, /B, Z, /Z						
Output Current	100 mA max. (per channel)						
*Electrical Connection	5 or 8x0,14 mm ² shielded cable						
Body Diameter	37 mm						
*Shaft Diameter	4 mm, 5 mm or 6 mm						
Operating Temperature	-25...+85 °C						
Storage Temperature	-40...+100 °C						
IP Protection Class	IP54						
Weight	~90 gr						
Material	Body: Aluminum						
	Shaft: Stainless Steel						

Note: The specifications indicated by (*) vary according to the model selected. The detailed code table for product selection is shown on page 2.

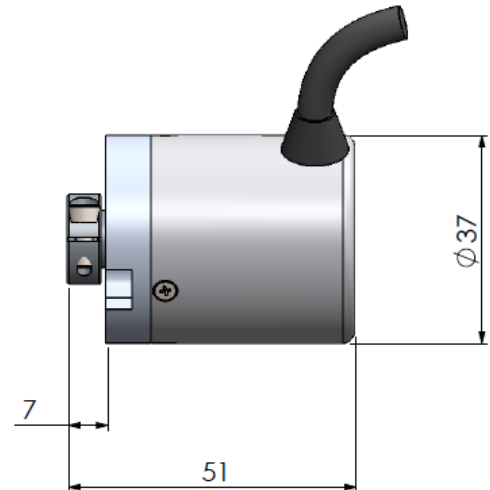
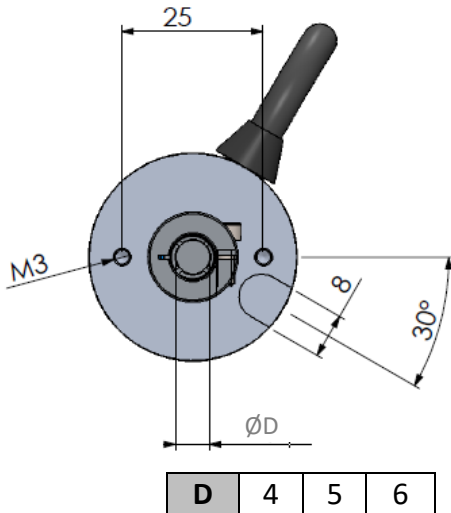
ELECTRICAL CONNECTIONS

SIGNAL	CABLE COLOR
A	YELLOW
/B	WHITE
+V	RED
0 V	BLACK
/A	BLUE
B	GREEN
/Z	GREY
Z	PINK



The table above shows the cable colors of the sensor output signals. If the control circuit is suitable in the Line Driver sensors of the not output signals (/A, /B, /Z) have to be added to the system. If it is not suitable /A, /B, /Z signal cables must be fixed as insulated separately. Don't forget that these edges have electricity too.

MECHANICAL DIMENSIONS (mm)



PRODUCT CODE

Model	Shaft Type	Body Diameter	Resolution	Output Signals	Cable Direction				
ARS	X	XX	XXXX	XXX	X				
Supply and Output PP : 10...30 VDC Supply : 10...30VDC Output TTL : 5 VDC Supply : 5 VDC TTL RS422 Line Driver Out. HTL : 10...30 VDC Supply : 5 VDC TTL RS422 Line Driver Out. HPL : 5...30 VDC Supply : 5...30 VDC Push-Pull Output OCL : NPN Open Collector OCP : PNP Open Collector		Electrical Connection 3M : 3 m (standard) 5M : 5 m 10M: 10 m *Optional others		Hollow Diameter 4 : 4 mm 5 : 5 mm 6 : 6 mm					
Model ARS - X - XX - XXXX - XXX - X - XX - X - X		Body Diameter 37 : 37 mm		Resolution All resolution options from 1 to 1024 pulses		Output Signals 2 (A,B) 3 (A,B,Z) 4 (A,/A,B,/B) 6 (A,/A,B,/B,Z,/Z)		Cable Direction A : From backside Y : From side	

Atek Elektronik Sensör Teknolojileri Sanayi ve Ticaret A.Ş.

Gebze OSB, 800. Sokak, No:814 Gebze/KOCAELİ/TURKEY