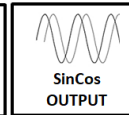
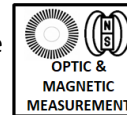




GENERAL FEATURES

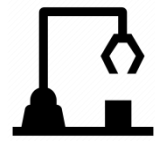
- Magnetic or optical measurement
- 59.6 mm body diameter
- 1:10 tapered shaft
- Incremental 2048 pulse resolution
- Absolute Sin/Cos output signals
- 3000 RPM operating speed
- High signal quality
- Robust structure, long service life
- Easy installation



ARF S 58 series SinCos rotary encoders measure with magnetic and optical principle. They offer 2048 pulse resolution per revolution. They are particularly suitable for applications in the field of elevator and drive technology. Thanks to their high signal quality, they work stably without being affected by noise.

APPLICATION FIELDS

- Servo-motors
- Elevator industry
- Packaging and Production Lines
- Machinery Industry
- Textile Machines
- Woodworking Machines
- Turning, Milling
- Automation and Robots



TECHNICAL SPECIFICATIONS

Mechanical Specifications

Operating Speed	3000 RPM max.
Body Diameter	59.6 mm
Shaft Diameter	10 mm tapered
Operating Temperature	-25°C...+85°C
Storage Temperature	-40°C...+100°C
IP Protection Class	IP54
Weight	~250 gr
Material	Body: Aluminum Shaft: Stainless Steel

Electrical Specifications

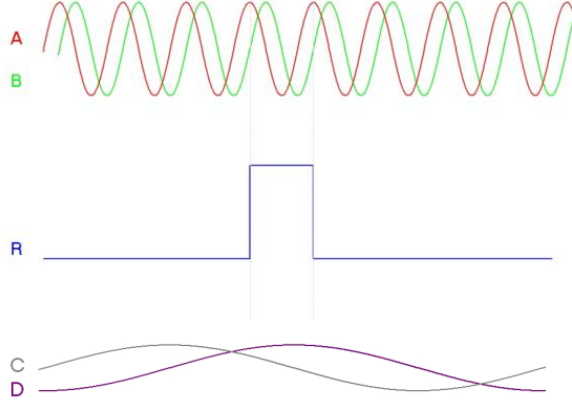
Supply Voltage	5 VDC
Current Consumption	≤100 mA
Reverse Polarity Protection of the power supply	Yes
Electrical Connection	4x0,14 mm ² + 4x2x0,14 mm ² shielded PVC cable

Sin/Cos Interface

Frequency	≤180 kHz
Signal Level	1 V _{pp} (±10 %)
Short Circuit Protection	Yes
Pulse Rate	2048 ppr

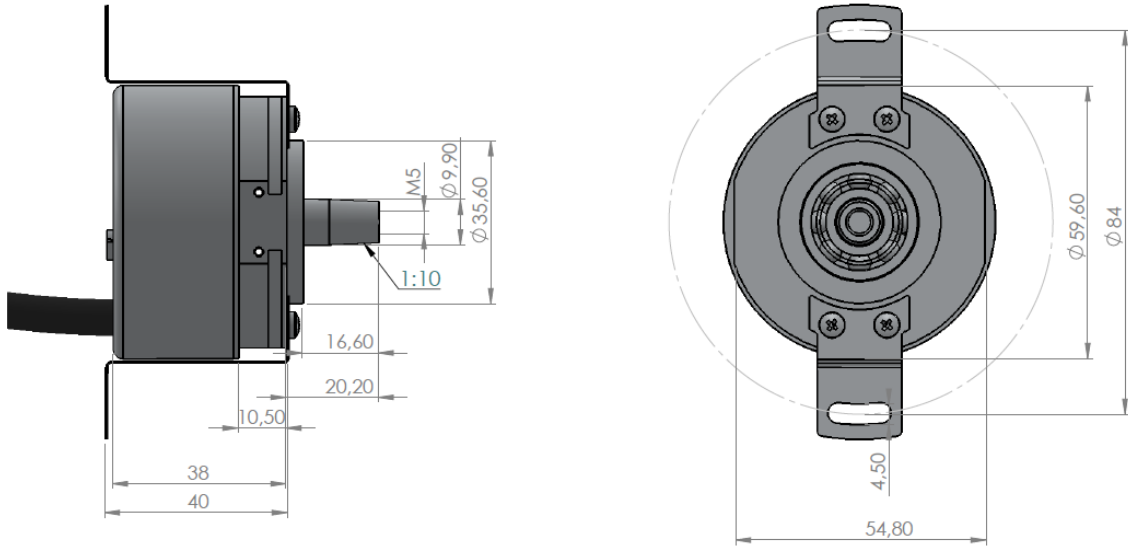
ELECTRICAL CONNECTIONS

SIGNAL	CABLE COLOR
A(+)	Yellow
A(-)	Blue
B(+)	Green
B(-)	White
C(+)	Orange
C(-)	Purple
D(+)	Light Blue
D(-)	Brown
R(+)	Pink
R(-)	Grey
+V	Red
0V	Black



A and B signals are incremental signals, 2048 units are produced in one turn. R (reference) signal is generated 1 unit in 1 round. C and D signals are absolute signals. They are generated 1 unit in 1 round.

MECHANICAL DIMENSIONS



PRODUCT CODE

Model	Shaft Type	Body Diameter	Resolution	Supply Type	Electrical Connection	Flange Type
ARF	S : Shafted	058 : 59.6 mm	2048: 2048 pulse	TTL : 5VDC	3M : 3 m PVC cable 5M : 5 m PVC cable 7M : 10 m PVC cable *Optionally, different cable lengths can be requested.	FM : FM Flange
X		XXX	XXXX	XXX	XX	XX

Tel: +90 216 399 44 04 Fax: +90 216 399 44 02
www.ateksensor.com info@ateksensor.com

Atek Elektronik Sensör Teknolojileri Sanayi ve Ticaret A.Ş.

Gebze OSB, 800. Sokak, No:814 Gebze/KOCAELİ/TURKEY

Tel: +90 262 673 76 00

Fax: +90 262 673 76 08

www.ateksensor.com

info@ateksensor.com