

## GENERAL FEATURES

- 150° ve 340° electrical angle
- 20 mm hollow shaft
- 59.80 mm body diameter
- Potentiometric output
- High linearity up to  $\pm 0.5\%$
- Long life up to 5 million movements
- Resolution better than  $0,1^\circ$
- Dust and moisture resistant, IP63 protection class
- No mechanical rotation limitation

## APPLICATION FIELDS

- Textile machinery
- Automatic door control systems
- Automotive
- All kinds of control and measurement applications



## TECHNICAL FEATURES

### Electrical Data

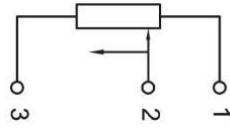
Independent Linearity	$\pm 0.5\%$
Repeatability	$0.1^\circ$ max.
Output Type	<b>Potentiometric</b>
Electrical Angle	$150^\circ, 340^\circ$
Supply Voltage	42V max.
Resistance Values	1K, 2K, 5K, 10K
Resistance Tolerance	$\pm 20\%$
Resistance Element	Resistive carbon
Resolution	Infinite
Recommended Wiper Current	100 $\mu$ A max.
Power Rating	0.5W / $40^\circ\text{C}$ max.
Minimum Life (electrical)	10 million movements
Electrical Connection	3x0,102 mm <sup>2</sup> soft PVC cable (standard 1m, optional others)

### Mechanical Data

Dimensions	See mechanical dimensions table
Mechanical Angle	$360^\circ$ , continuous
Torque	6 Ncm max.
Minimum Life (mechanical)	5 million movements
Operating Temperature	$-25^\circ\text{C} \dots +75^\circ\text{C}$
Storage Temperature	$-25^\circ\text{C} \dots +105^\circ\text{C}$
Housing Material	Aluminum
Protection Class	IP63

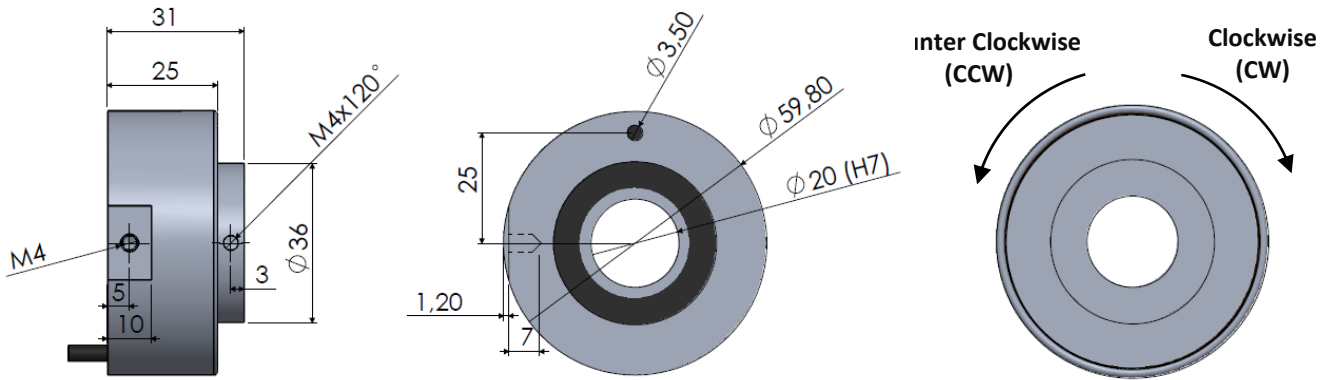
## ELECTRICAL CONNECTIONS

SIGNAL	CABLE COLOR
+V	Green (1)
Potentiometric output	Red (2)
-V	Yellow (3)



Potentiometer connection  
(voltage divider)

## MECHANICAL DIMENSIONS (mm)



## ORDER CODE

Model		Angle	Cable Length
RHP	-	150 : 150° 340 : 340°	1M: 1 meter (standard) *Optional others
XXX	-	XXX	XXX
Body Diameter		Resistance Value	Output Type
060: 59.80 mm		1K: 1K 2K: 2K 5K: 5K 10K: 10K	No Code: Potentiometric